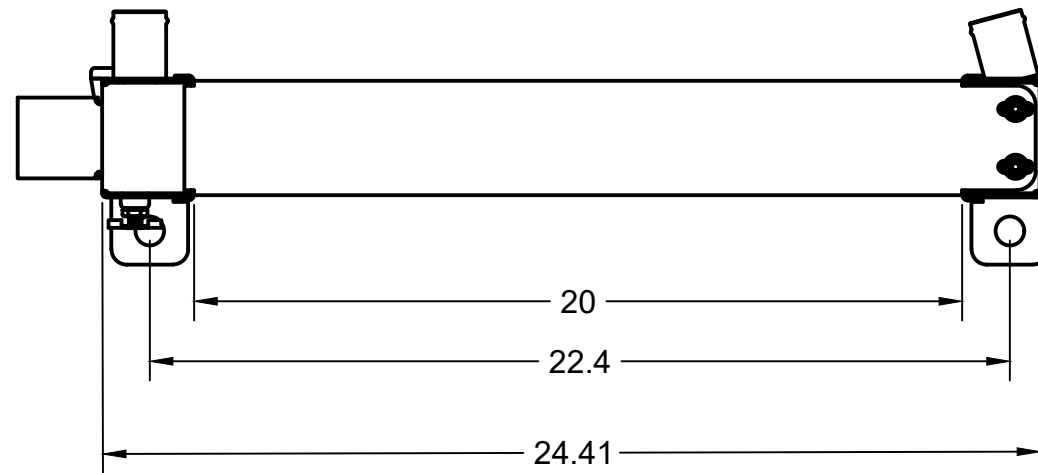
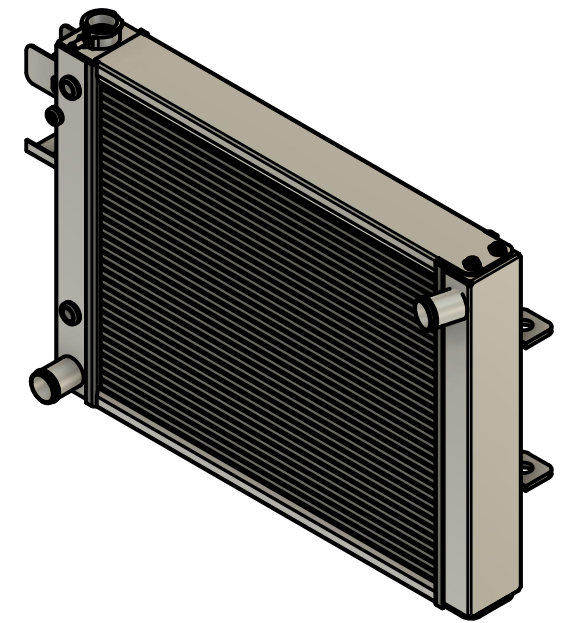
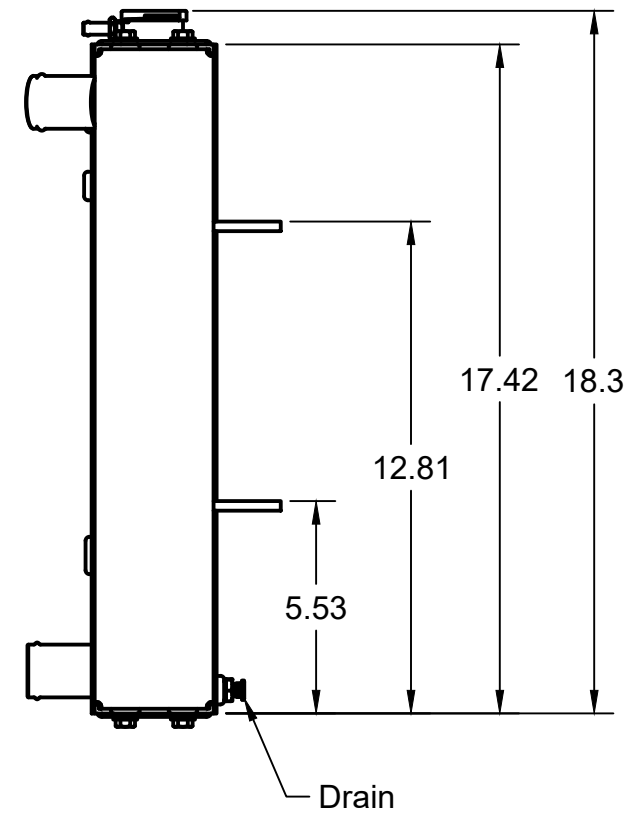


1-3/8 Connection



PROJECT
GSE Equipment
TITLE
148463L

APPROVED	SIZE	CODE	DWG NO	REV
CHECKED	B			
DRAWN Brian Bell	1/30/2019	SCALE 1:5	WEIGHT	SHEET 1/1